

ISLAND SERIES

SIERRA ISLAND

An island you'll want to stay on!

The Stack Stone gives a rugged and elegant appearance, while using both durable and weather-resistant materials. Entertaining is easy and enjoyable in your 'second' kitchen. The Sierra Island will be the center of your outdoor GreatRoom®.



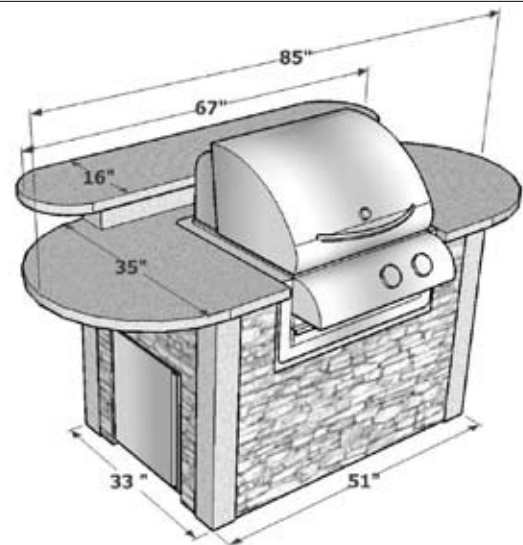
NOTE: Printing color may vary slightly from actual product.

Sierra Island Features

- Super Cast Top, Stone Finish, FDA Approval Sealed for fast and easy clean-up
- Optional built-in iPod player with and 4-speaker marine-grade sound system
- Fire Stone Legacy 24i Cook Number Grill. Convection technology - no hot or cold spots. Grill, Sear, Roast, and Bake
- 24" stainless steel door hides LP tank and provides ample storage

Sierra Island Specifications

MODEL	COUNTER HEIGHT	BAR HEIGHT	WIDTH	DEPTH (including back shelf)	NET WEIGHT	CUBIC FEET
Sierra Island	36"	42"	85"	43"	550 lbs	120



Dimensions above are in inches. Reference dimensions only. We recommend measuring individual units at installation. Refer to installation manual for detailed specifications on installing this product.

Patent Pending



Think outside...

www.FireStoneHP.com • 1.866.303.4028

Electric-Grill-0807