

# PERGOLA SERIES

## SIERRA PERGOLA

### Simple style for easy living

Relax and rejuvenate in style - in your own back yard. Create a look uniquely yours and enjoy privacy with a simple-style pergola. Now you can entertain and relax with family and friends in your private outdoor living room space

### Sierra Pergola Features

- Asian White Cedar Wood
- 10' x 10' design
- Precision cut, pre-drilled with powder-coated hardware
- Optional 9-piece lattice shade roof
- Optional Decorative stucco post bases
- Optional 3-panel privacy wall
- Screen and roof offer wind and sun protection
- Anchored system (required)
- 3 year structural warranty
- 1 year exterior finish warranty



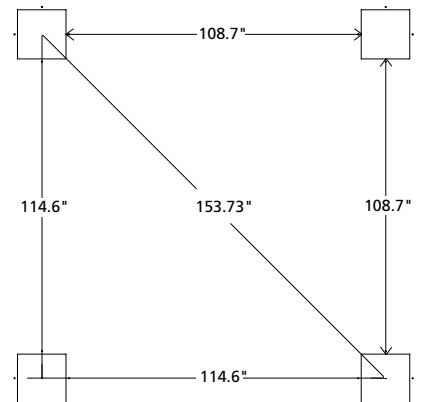
The 2 Post Patio Pergola adds an attractive architectural feature to your home.

**NOTE:** Printing color may vary slightly from actual product.

### Sierra Pergola

MODEL	HEIGHT	WIDTH	DEPTH	WEIGHT
SIERRA-10-R	102"	152"	152"	357 LBS
INSIDE POST-TO-POST DIMENSIONS		108.7"		
CENTER POST-TO-CENTER DIMENSIONS		114.6"		
POST DIAMETER - 6" x 6"				

**NOTE:** Pergolas must be anchored to footings, deck or patio slab.



Dimensions above are in inches. Reference dimensions only. We recommend measuring individual units at installation. Refer to installation manual for detailed specifications on installing this product.



The Outdoor GreatRoom Company™

www.FireStoneHP.com • 1.866.303.4028